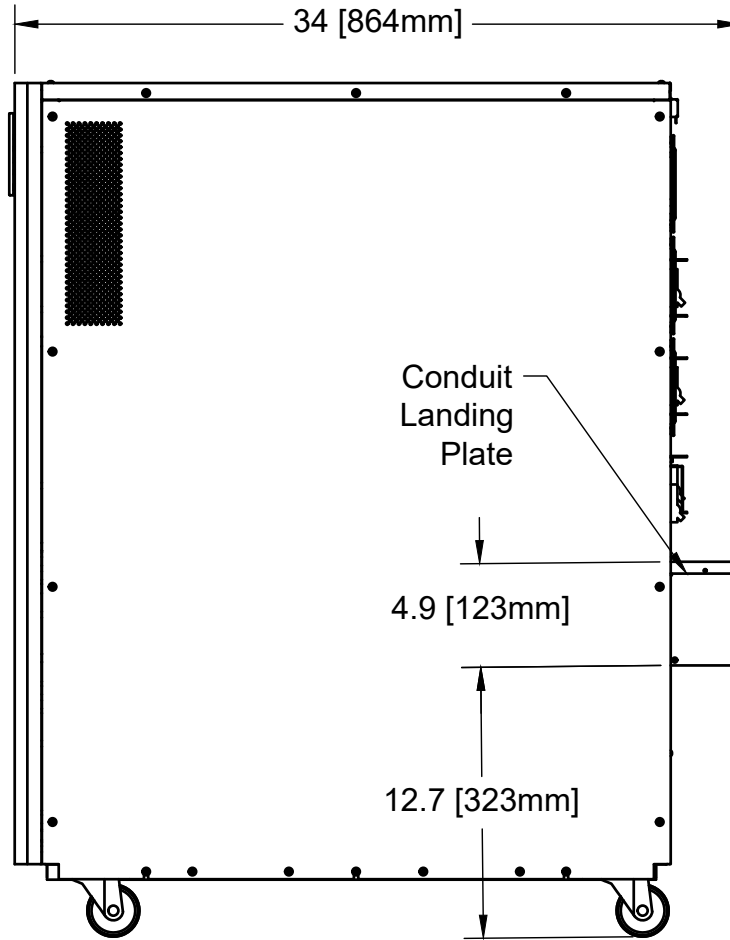
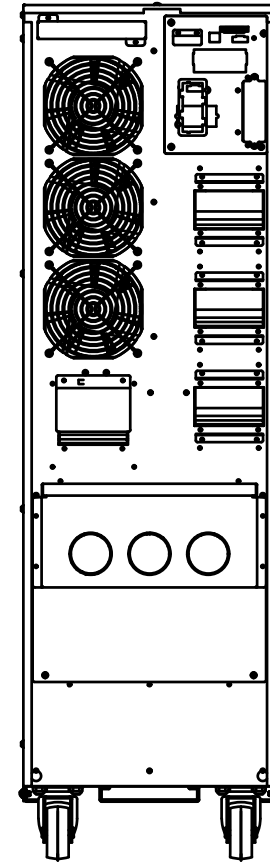


Front



Side



Back

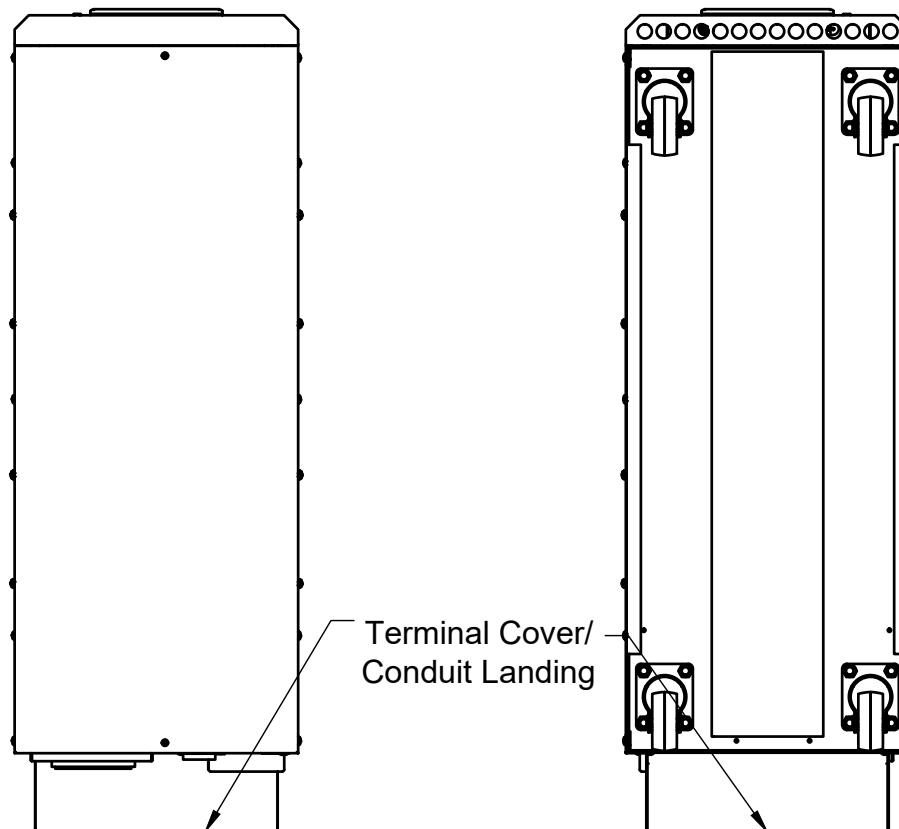
		PROJECT			E91 15kVA
		TITLE			E91 15kVA Outline Drawing
APPROVED		SIZE	CODE	DWG NO	REV
CHECKED		A		E91-OTL-15kVA-208-208	0
DRAWN	JB	4/18/2022	SCALE 1:9	WEIGHT	SHEET 1/3



Front

Top

Bottom



Terminal Cover/
Conduit Landing

Back

X-TREME
Power Conversion®

PROJECT
E91 15kVA

TITLE
E91 15kVA Outline Drawing

APPROVED

CHECKED

DRAWN

JB

4/18/2022

SIZE

A

CODE

DWG NO

E91-OTL-15kVA-208-208

REV

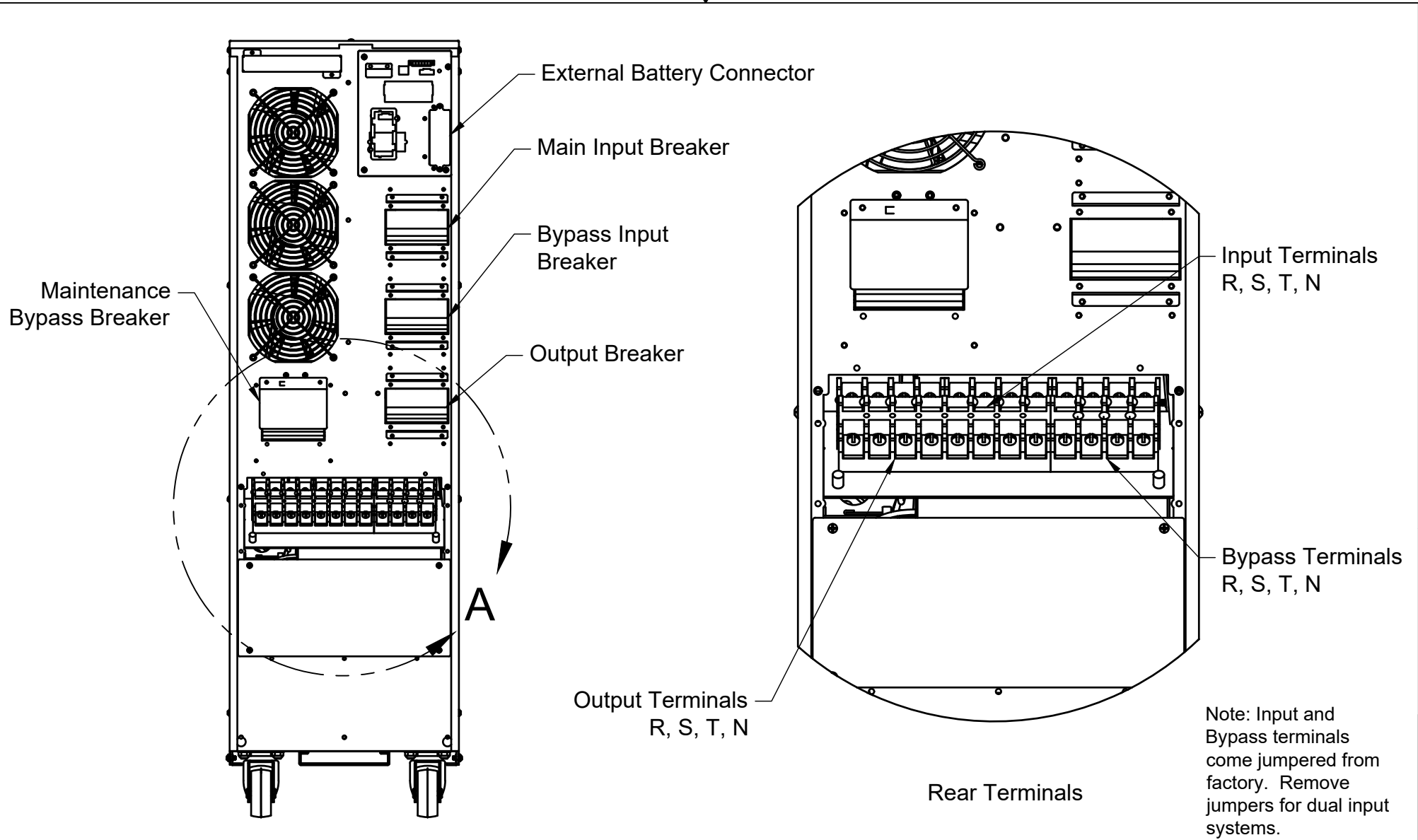
0

SCALE 1:8

WEIGHT

SHEET 2/3





		PROJECT E91 15kVA					
		TITLE E91 15kVA Outline Drawing					
APPROVED	DRAWN	JB	4/18/2022	SIZE	CODE	DWG NO	REV
CHECKED						E91-OTL-15kVA-208-208	0
				SCALE 1:7	WEIGHT	SHEET 3/3	